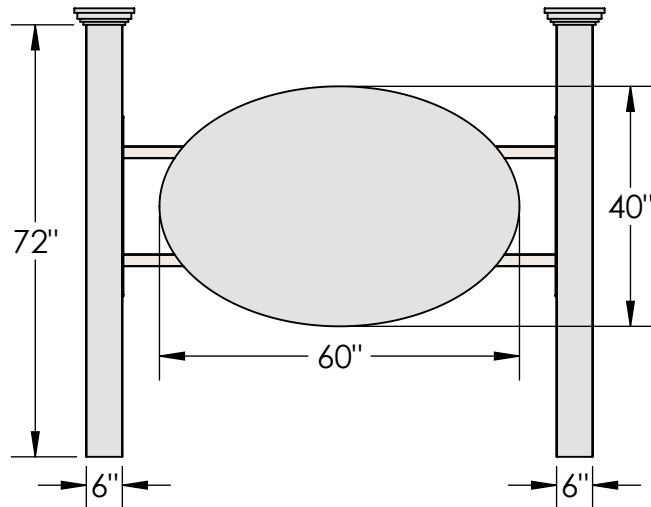
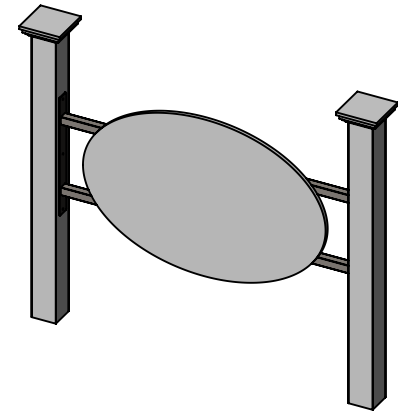
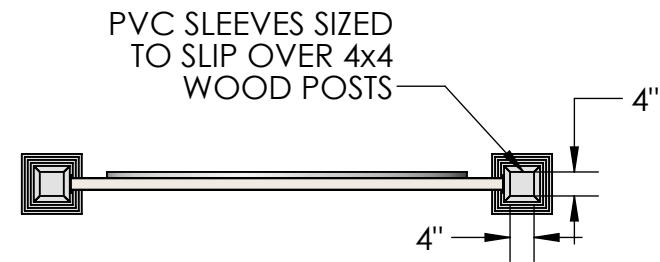


REVISIONS			
REV.	DESCRIPTION	DATE	CB
A	ORIGINAL DRAWING	7/29/2016	CF



FRONT VIEW



BOTTOM VIEW

Material:
PVC/Steel

Scale: 1:32
DB: CF
Rev: A
Sheet: 1 of 1

Content: Premier Frame Post and Panel System

PN: A1-PP100-V6040

Color/Finish:

PVC - White/Unpainted Frame - Textured Black Powder Coat
Customer Approval: _____

Design by Sign Bracket Store. All visual representations and designs are the intellectual property of Sign Bracket Store and protected under copyright law. Any duplication of this design is in direct violation of the law and will result in legal action.

© Copyright 2008-2016



SIGN BRACKET STORE

T: 888-919-7446

F: 760-603-0812