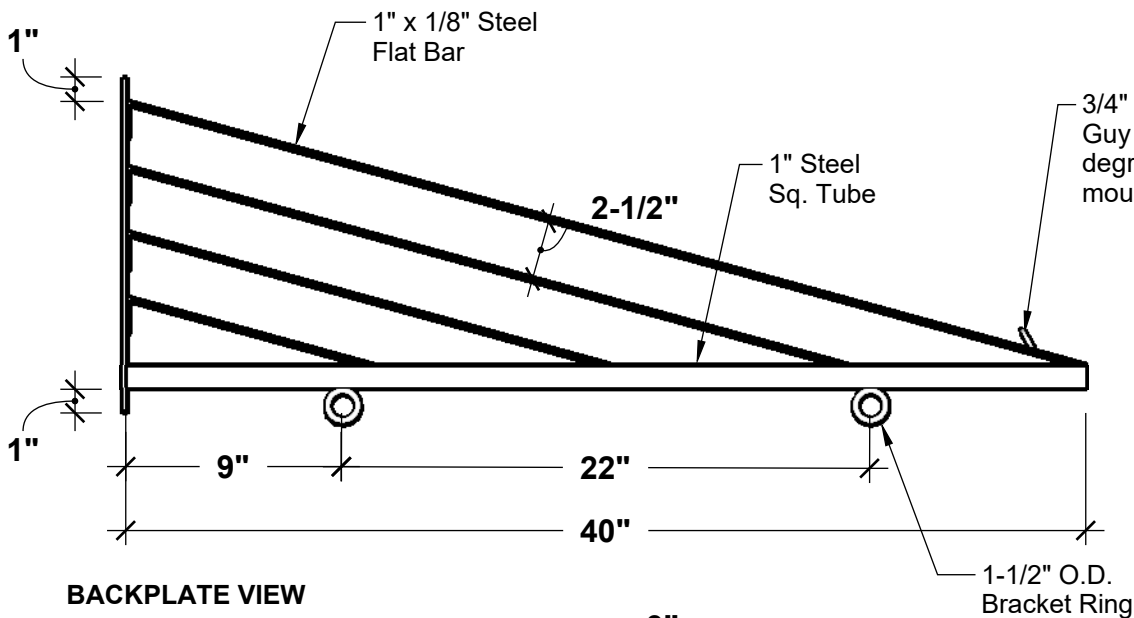
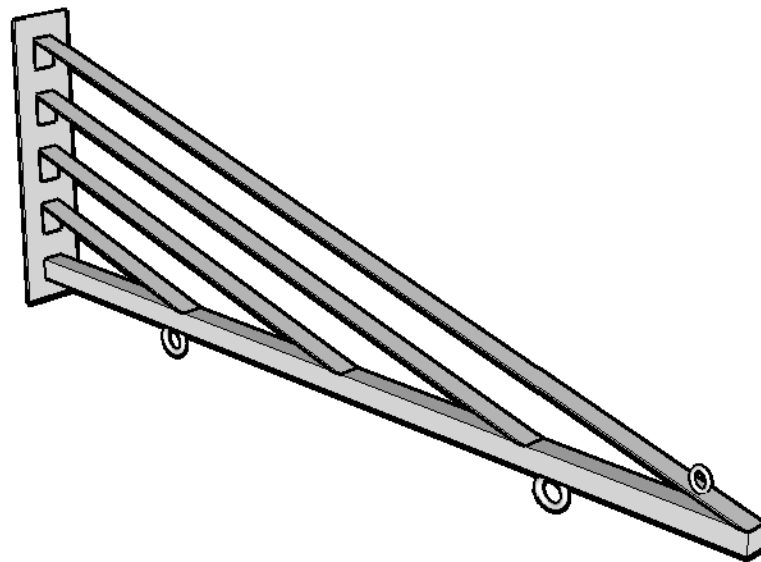


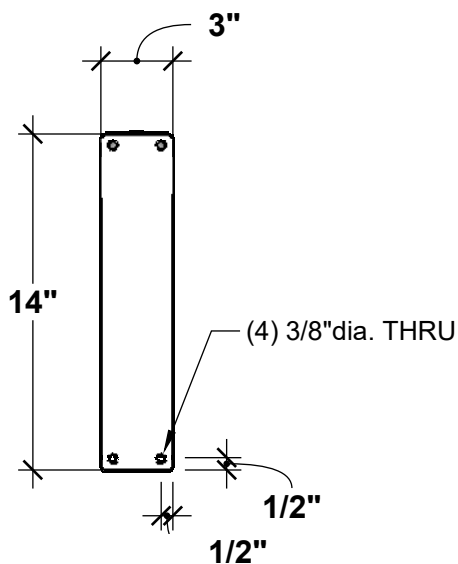
ELEVATION VIEW



PERSPECTIVE VIEW



BACKPLATE VIEW



GENERAL NOTES

CUSTOMER SIGNATURE

PRODUCT DESCRIPTION

40" TERRAZZA TRIANGLE HANGING BLADE SIGN BRACKET

SKU

410B-40

ORDER NUMBER

DIMENSIONS

40"L

COLOR

Textured Black Powder Coat

FINISH

REP:

DB:

DATE



6056 Corte Del Cedro, Carlsbad CA 92011
 1-888-320-0626/service@plantersunlimited.com
 www.plantersunlimited.com

