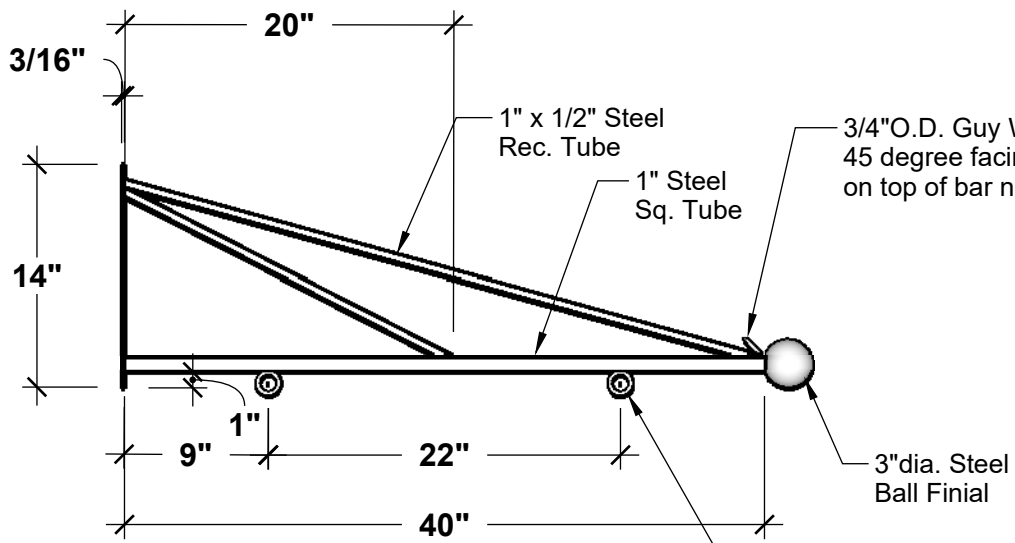
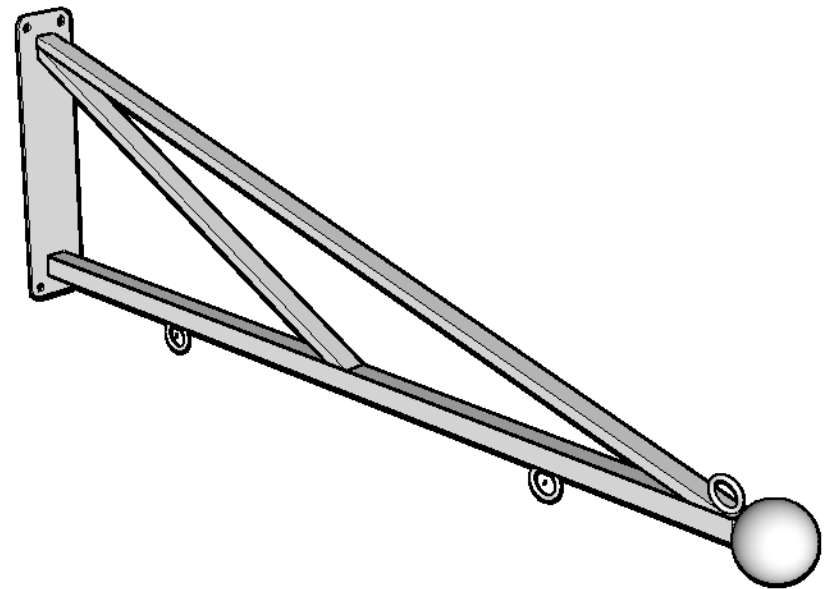


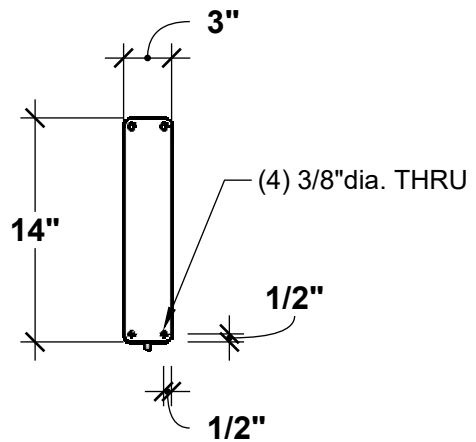
FRONT VIEW



PERSPECTIVE VIEW



SIDE VIEW



GENERAL NOTES



6056 Corte Del Cedro, Carlsbad CA 92011
 1-888-320-0626/service@plantersunlimited.com
 www.plantersunlimited.com

PRODUCT DESCRIPTION	SKU		ORDER NUMBER		CUSTOMER SIGNATURE
40" TRIANGLE TRUSS HANGING SIGN BRACKET	405B-40				
DIMENSIONS	COLOR	FINISH	REP:	DB:	DATE
40"L	Textured Black Powder Coat				

