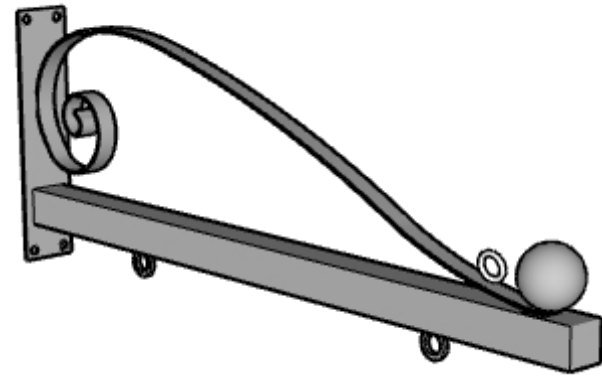
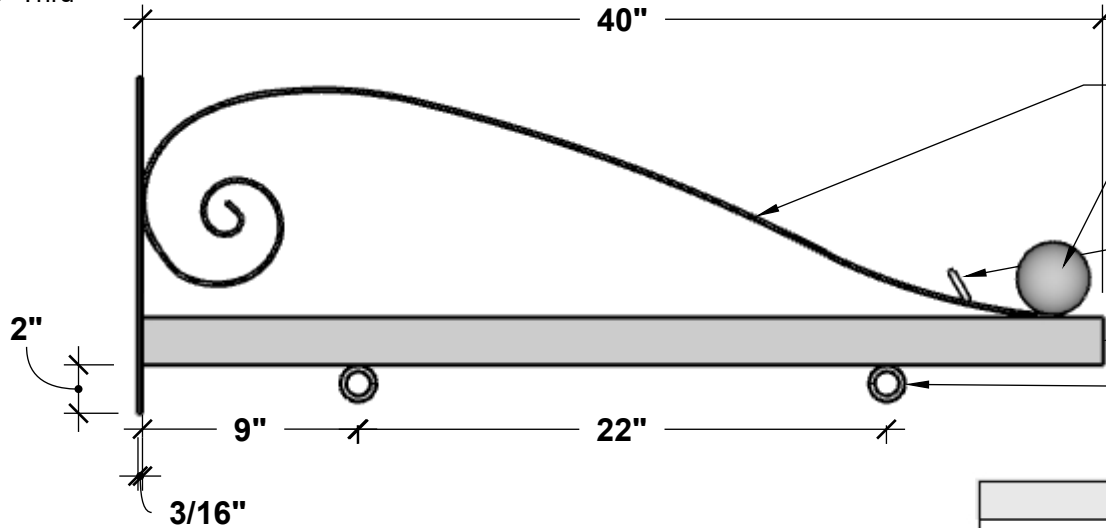
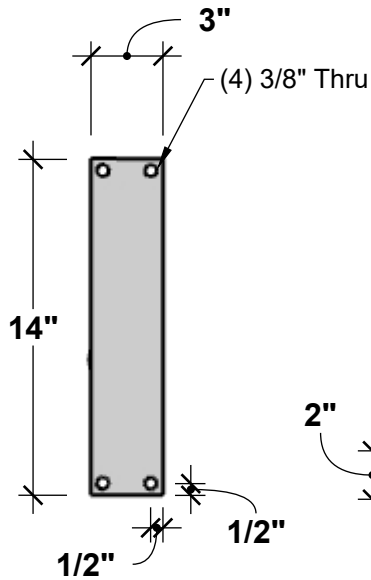


SIDE VIEW

FRONT VIEW

PERSPECTIVE VIEW



- 2" x 3/16" Steel Flat Bar
- 3" Dia. Steel Ball Finial
- 3/4" O.D. x 3/16" Thk. Guy Wire Ring 45° facing Mounting Plate
- 2" Sq. Tube
- 1-1/2" OD Steel Bracket Ring

GENERAL NOTES

SIGN BRACKET
—STORE—

A CARLSBAD MANUFACTURING COMPANY

1 (888) 919-7446

SignBracketStore.com

PRODUCT DESCRIPTION					SKU				PREPARED FOR		APPROVAL SIGNATURE
MODINA SIGN BRACKET					378B-40						
DIMENSIONS	MATERIAL	COLOR / FINISH	REP	DB	DATE	REV	ORDER #	PROJECT / SIDEMARK / IF#		APPROVAL DATE	
40"L	STEEL		Cressa	RM	01/2025						

PLEASE NOTE: Due to the handmade nature of our products, individual measurements may vary from those listed. The provided dimensions are for reference only

All images are the intellectual property of Sign Bracket Store. Reproduction in any form is strictly prohibitive without the express written permission of Sign Bracket Store. All designs are property of Sign Bracket Store.