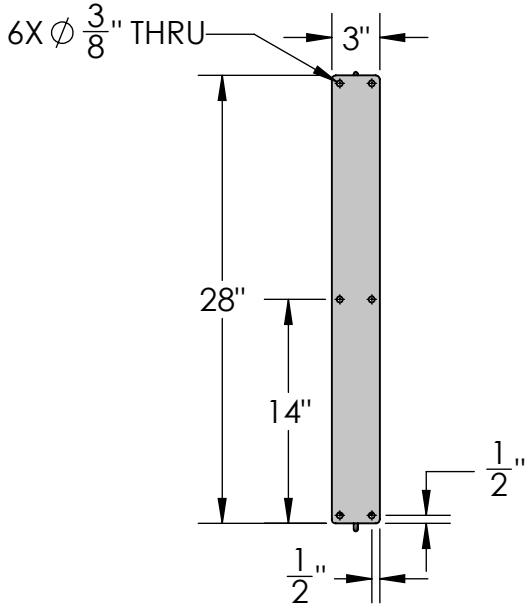
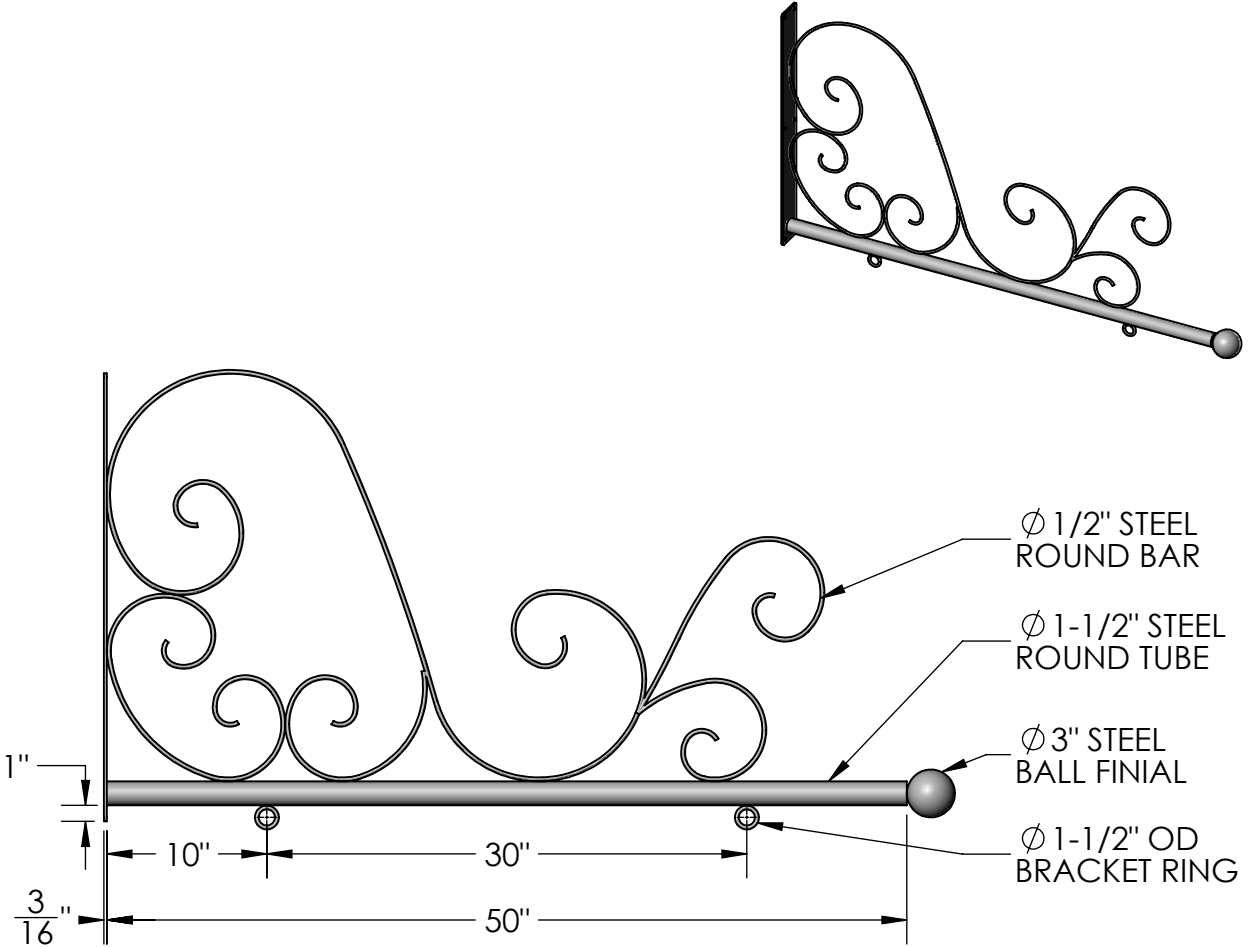


REVISIONS			
REV.	DESCRIPTION	DATE	CB
A	ORIGINAL DRAWING	6/2015	CF
B	UPDATED ARM LENGTH, BACK PLATE	4/14/2016	CF



SIDE VIEW



FRONT VIEW

Material: Steel
 Scale: 1:12
 DB: CF
 Rev: B
 Sheet: 1 of 1

Content: 50" Tuscany Scroll Hanging Blade Sign Bracket
 PN: 372B-50
 Color/Finish: Textured Black Powder Coat
 Customer Approval: _____

Design by Sign Bracket Store. All visual representations and designs are the intellectual property of Sign Bracket Store and protected under copyright law. Any duplication of this design is in direct violation of the law and will result in legal action.
 © Copyright 2008-2016



T: 888-919-7446 F: 760-603-0812