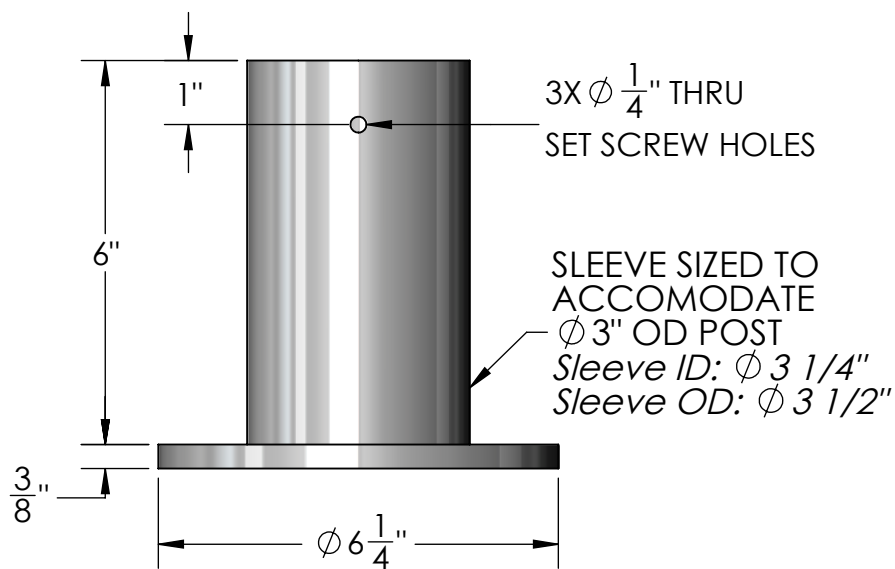
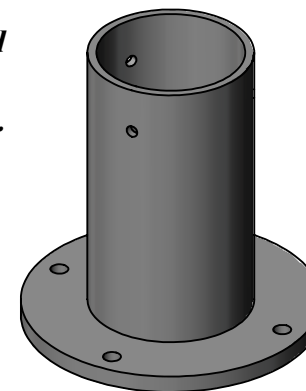
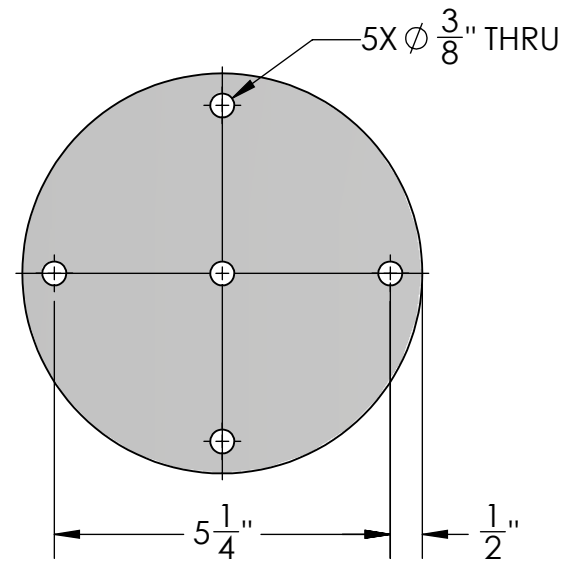


**TOP VIEW**

**NOTE:** Due to variations in the fabrication process, it is suggested that anchor holes be drill only after the flange has been received.



**FRONT VIEW**



**BOTTOM VIEW**

Material:  
Steel

Content: 3" Standard Post Mounting Flange  
PN: 320B-2403

Scale: 1:5  
DB: ZB  
Rev: A  
Sheet: 1 of 1

Color/Finish: Textured Black Powder Coat  
Customer Approval: \_\_\_\_\_

Design by Sign Bracket Store. All visual representations and designs are the intellectual property of Sign Bracket Store and protected under copyright law. Any duplication of this design is in direct violation of the law and will result in legal action.

© Copyright 2008-2017

 **SIGN BRACKET STORE**

T: 888-919-7446

F: 760-603-0812